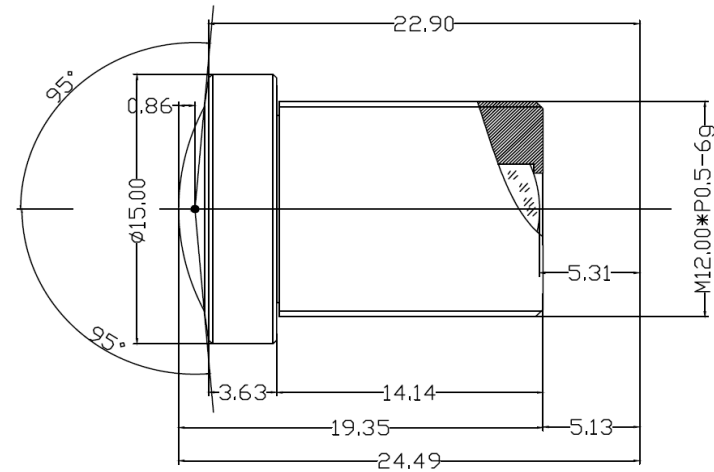


SPECIFICATION

IMAGE FORMAT	Φ5.4mm
FOCAL LENGTH	1.9mm
F.O.V.@Φ5.4	190°
F.O.V.@Φ4.22	132°
RESOLUTION	3 Megapixel
DISTORTION	-105%
APERTURE	F2.3
MOUNT	M12x0.5
IRIS	Fixed
M.O.D.	0.1m
T.T.L.	24.49mm
IR	Corrected



SCALE		DRAWN		MODEL	CCL118019MP	REV	DESCRIPTION	DATE	NAME
DATE		CHECK		 香港致远电子集团有限公司 HONGKONG TOWIN ELECTRONICS CO.,LTD.		①			
UNIT	mm	APPROVE				②			
						③			