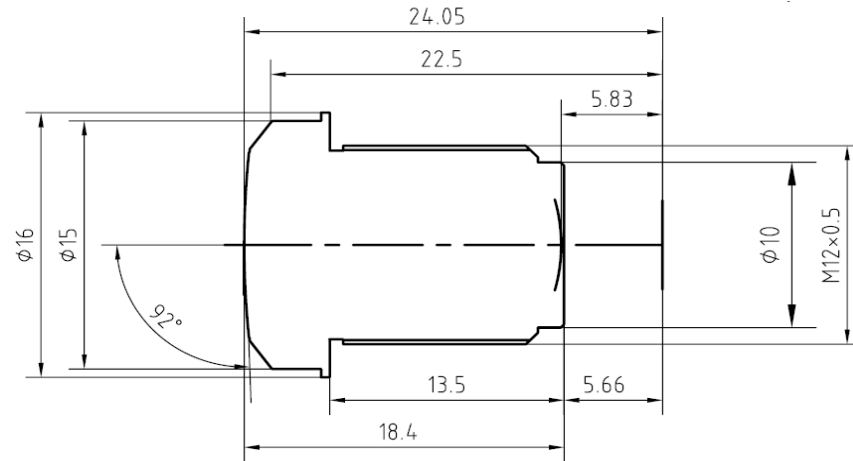


# SPECIFICATION

IMAGE FORMAT	Φ5.4mm
FOCAL LENGTH	2.4mm
F.O.V.	184°(D)
	184°(H)
	184°(V)
RESOLUTION	Megapixel
DISTORTION	-99%
APERTURE	F2.3
MOUNT	M12x0.5
IRIS	Fixed
M.O.D.	0.1m
T.T.L.	24mm
IR	Corrected



SCALE		DRAWN		MODEL	<b>CCL118024MP</b>	REV	DESCRIPTION	DATE	NAME
DATE		CHECK		 香港致远电子集团有限公司 HONGKONG TOWIN ELECTRONICS CO.,LTD.	①				
UNIT	mm	APPROVE			②				
					③				