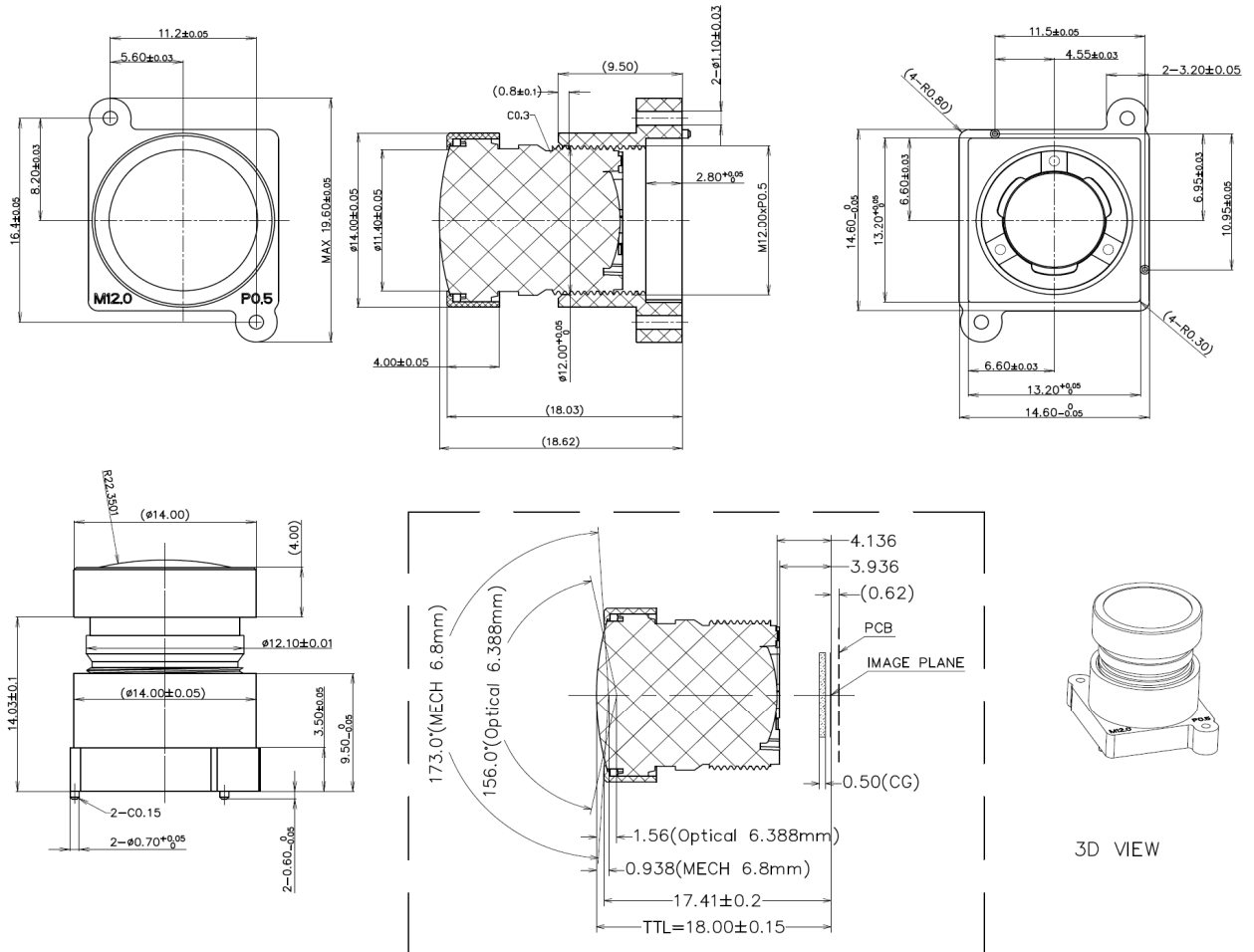


# SPECIFICATION

IMAGE FORMAT	1/2.8"
FOCAL LENGTH	2.6mm
F.O.V. (sensor IMX290)	156°(D)
	130°(H)
	69°(V)
RESOLUTION	3 Megapixel
DISTORTION	<-74%
TV DISTORTION	<-6%(H)
APERTURE	F2.0
MOUNT	M12X0.5
IRIS	Fixed
FOCUS	Manual
ZOOM	Fixed
B.F.L.	4.136mm
M.O.D.	0.2m
CONSTRUCTION	4G1MG+IRF+holder
HOLDER MATERIAL	LCP+30%GF(black)



SCALE	DRAWN	MODEL	REV	DESCRIPTION	DATE	NAME
	CHECK	 香港致远电子集团有限公司 HONGKONG TOWIN ELECTRONICS CO.,LTD.	①			
	APPROVE		②			
			③			