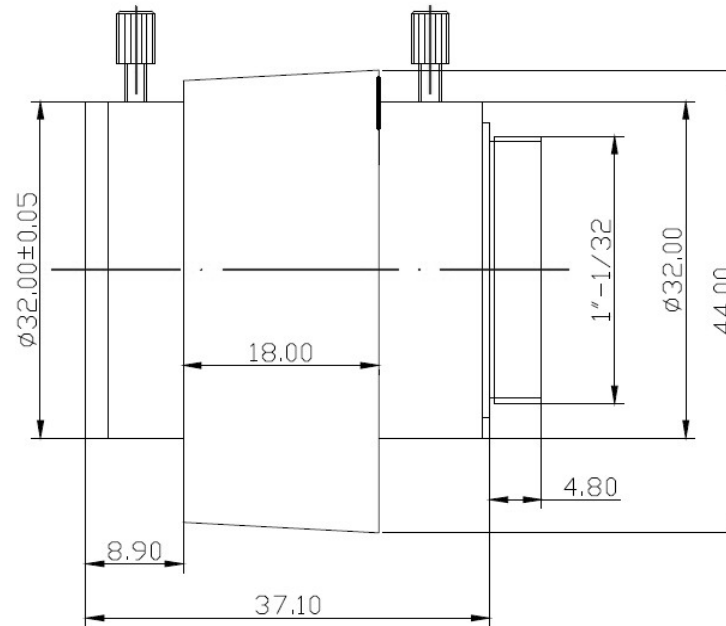


SPECIFICATION

IMAGE FORMAT	1/3"
FOCAL LENGTH	3.5-8mm
H F.O.V.	79°~35°
RESOLUTION	1.3MP
APERTURE	F1.4
MOUNT	CS
IRIS	DC Auto
FOCUS	Manual
ZOOM	Manual
M.O.D.	0.2m
IR CORRECTED	Yes



SCALE		DRAWN		MODEL	CCL13358AMP	REV	DESCRIPTION	DATE	NAME
DATE		CHECK		 香港致远电子集团有限公司 HONGKONG TOWIN ELECTRONICS CO.,LTD.		①			
UNIT	mm	APPROVE				②			
						③			